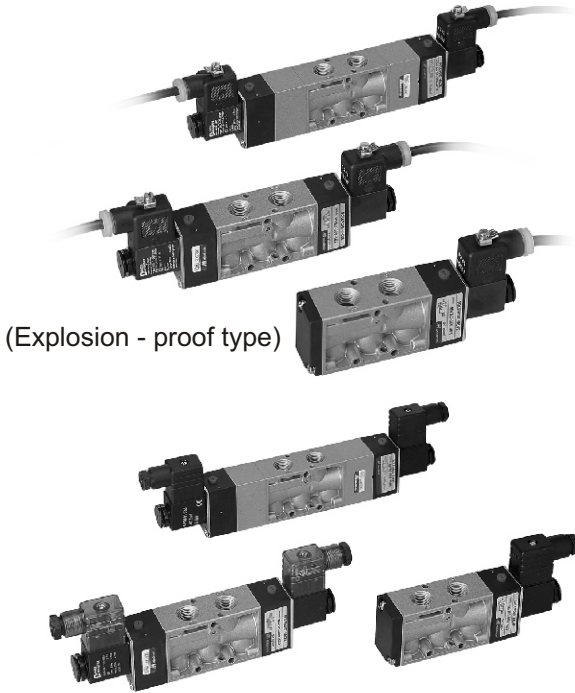


MVSC-300 series

SOLENOID VALVE

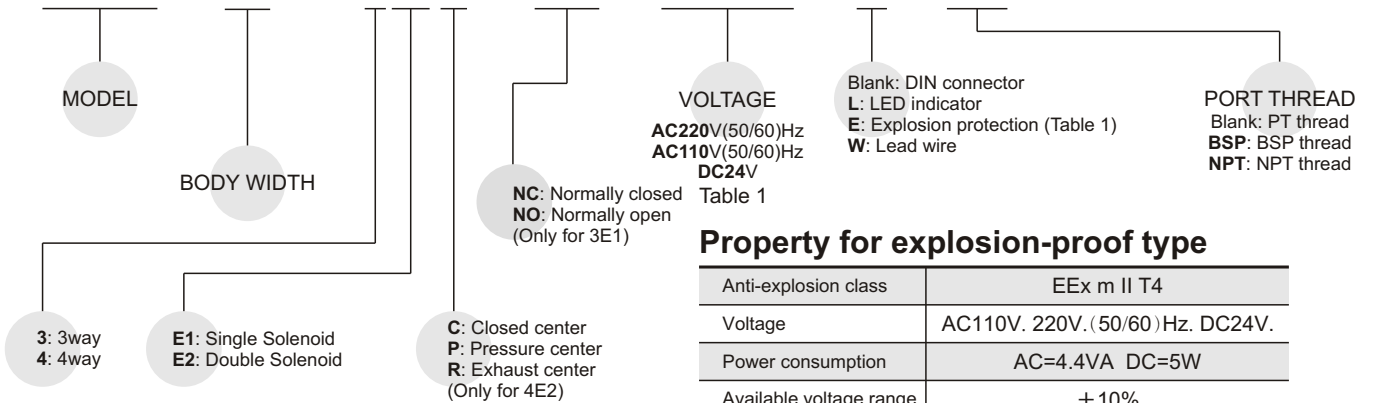


Specification:

Model	MVSC-300-3E1,E2	MVSC-300-4E1,E2	MVSC-300-4E2C.P.R
Bore No.	10A		
Port size	PT 3/8		
No. of port	3	5	
No. of position	2	2	3
Medium	Air		
Operating pressure range	2~7 kgf/cm ²		3~7 kgf/cm ²
Proof pressure	10 kgf/cm ²		
Effective orifice	35 mm ²		25 mm ²
Ambient temperature	- 5~ + 50℃ (No freezing)		
Response time	50 ms		
Voltage	AC110V, 220V (50/60)Hz, DC24V		
Power consumption	AC=6/4.9VA DC=2.5W		
Available voltage range	± 10%		
Insulation class	F class		
Weight	350 g	439 g	293 g 387 g 565 g

Order example of valve:

MVSC - 300 - 4E2C - NC - AC110 - L - BSP



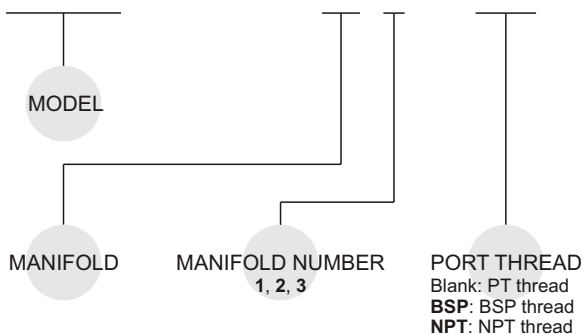
Property for explosion-proof type

Anti-explosion class	EEx m II T4
Voltage	AC110V, 220V, (50/60)Hz, DC24V.
Power consumption	AC=4.4VA DC=5W
Available voltage range	± 10%
Insulation class	F class

Order example of manifold:

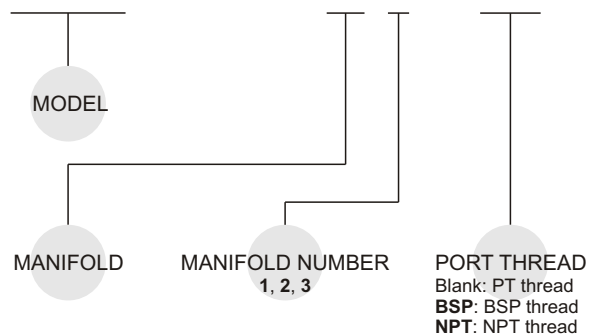
3 way

MVSC - 300 - 3B3 - BSP



4 way

MVSA - 300 - 5B3 - BSP ※Use the same manifold with MVSA.



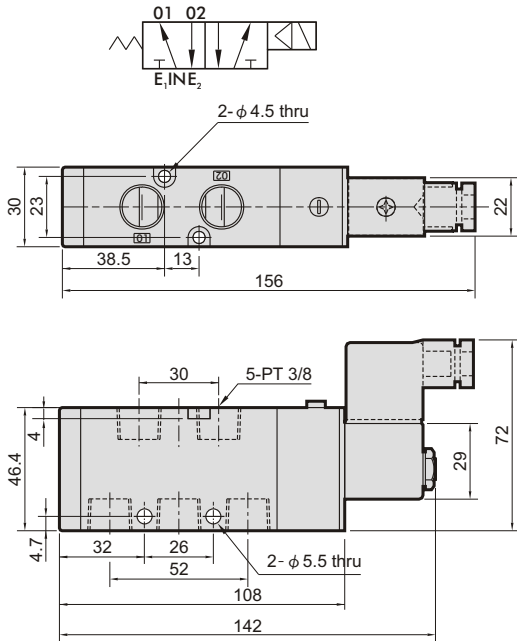
MVSC-300 series

SOLENOID VALVE

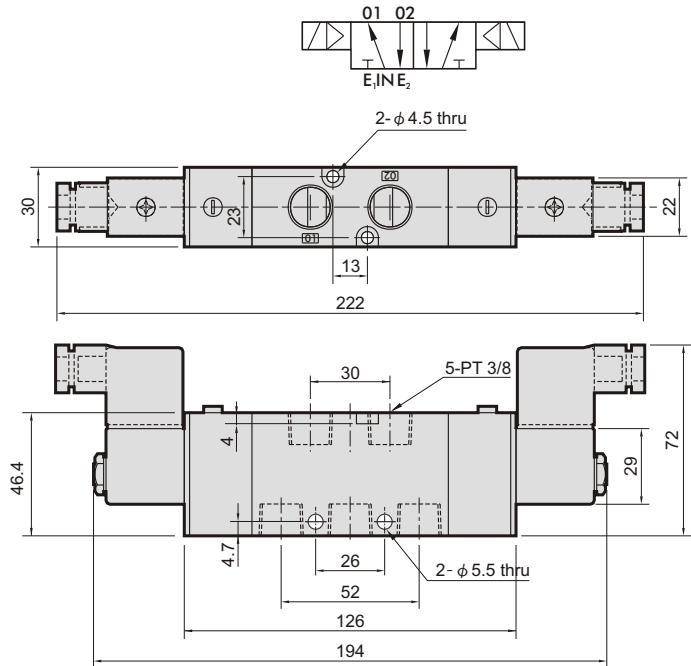


Dimensions:

MVSC-300-4E1



MVSC-300-4E2

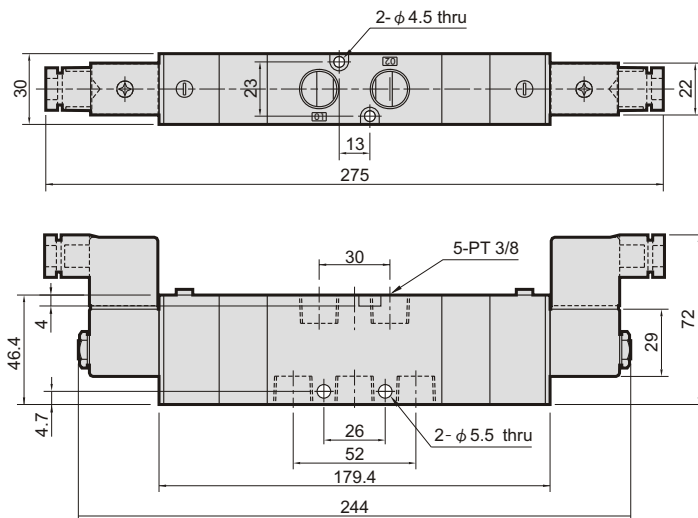


MVSC-300-4E2C.PR

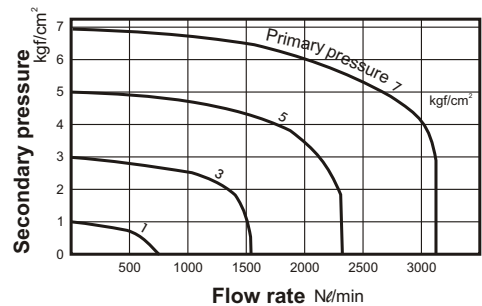
MVSC-300-4E2C

MVSC-300-4E2P

MVSC-300-4E2R



Flow features:



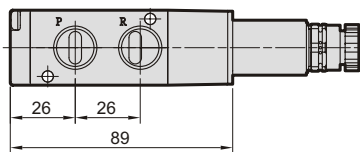
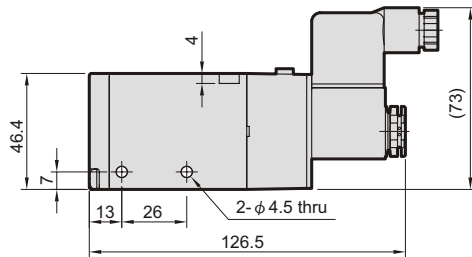
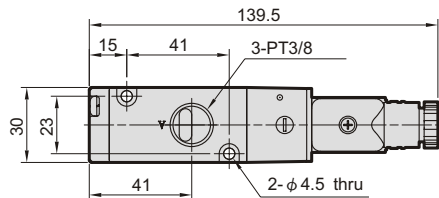
MVSC-300 series

SOLENOID VALVE

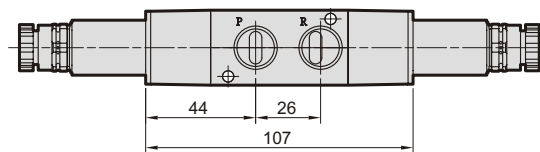
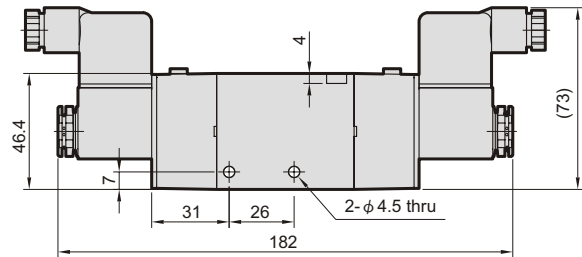
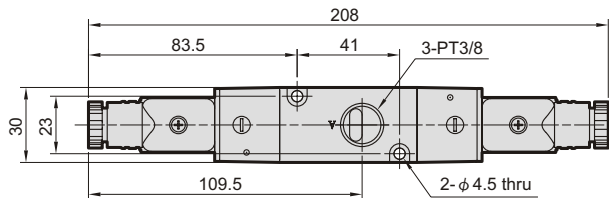


Dimensions:

MVSC-300-3E1-NC/NO

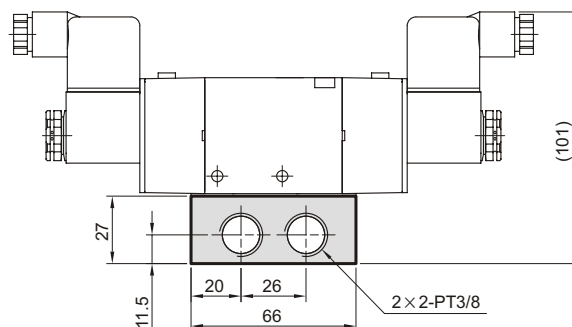
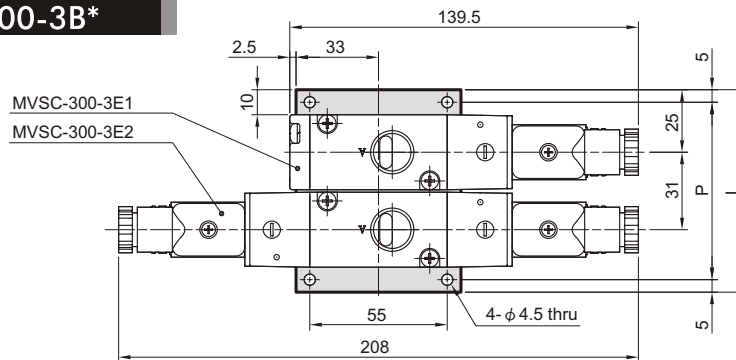


MVSC-300-3E2



Manifold of solenoid valve:

MVSC-300-3B*



No. of stations	P	L
2	71	81
3	102	112
4	133	143
5	164	174
6	195	205
7	226	236
8	257	267
9	288	298
10	319	329

